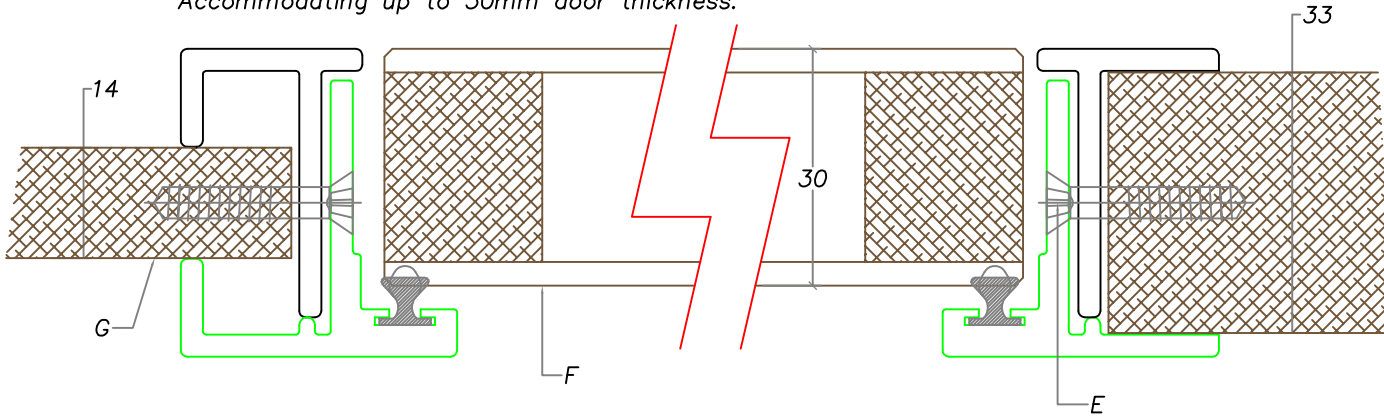
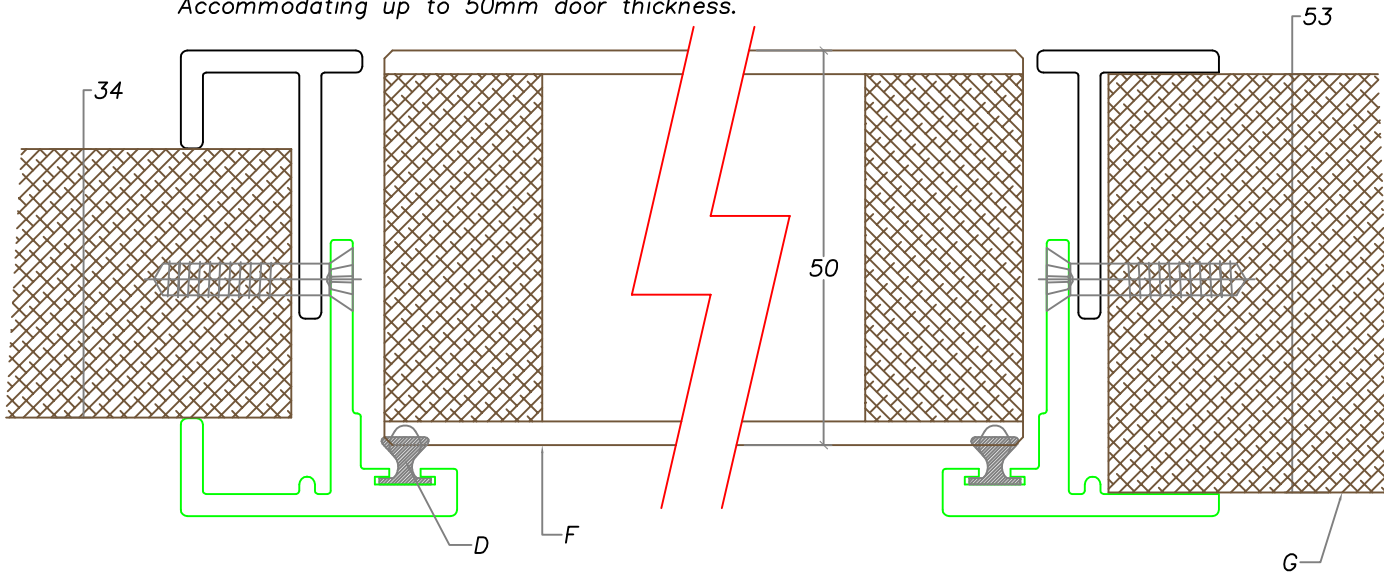


**POSSIBLE ASSEMBLIES:**

With sections pressed tight together:  
 Fits from 14mm [natural] to 33mm [return legs fully removed] B/H thickness.  
 Accommodating up to 30mm door thickness.



With sections spread apart to 10mm [MAX] overlap:  
 Fits from 34mm [natural] to 53mm [return legs fully removed] B/H thickness.  
 Accommodating up to 50mm door thickness.

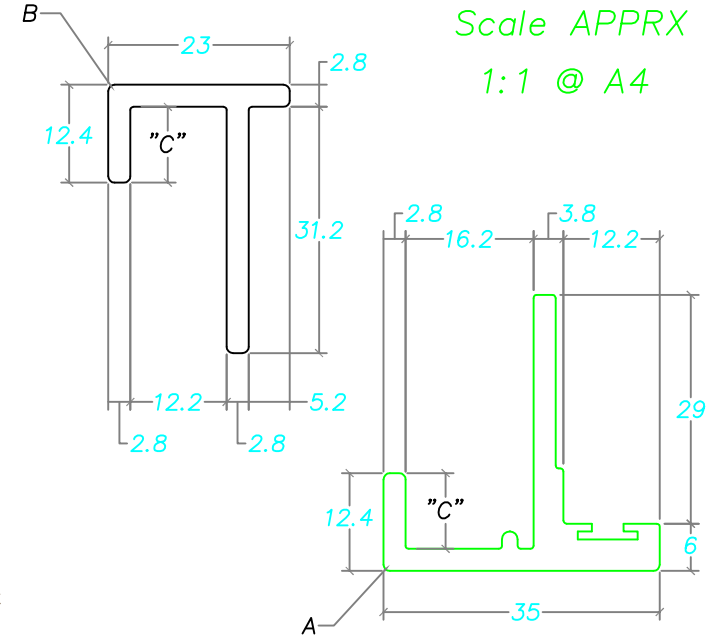


A	INT. DOOR STOP 6060T1 ALUMINIUM
B	INT. DOOR TRIM 6060T1 ALUMINIUM
C	"RETURN LEGS"
D	MOHAIR OR 'QLON' MEMORY VINYL SEAL
E	8gg 316 S/S FRAME FIXING SCREWS
F	DOOR LEAF – BY CLIENT.
G	BULK HEAD – SHOWN VARIOUS THICKNESS
H	
I	
J	

**GENERAL DIMENSIONS.**

Scale APPRX

1:1 @ A4



REV.	AMENDMENT	DRAWN	DATE
A	-	-	-

USE DIMENSIONS – DO NOT SCALE DRAWING  
 IF IN DOUBT – ASK WINDOWS WEST

**Windows West**

8 Redemptora Road  
 Henderson, WA 6166  
 AUSTRALIA

Phone: +61 8 9437 9277

Fax: +61 8 9437 9080

E-mail: sales@windowswest.com.au

ACN. 070 345 758

COPYRIGHT: THIS DRAWING IS THE EXCLUSIVE PROPERTY OF WINDOWS WEST PTY. LTD. AND MUST NOT BE REPRODUCED IN WHOLE OR IN PART WITHOUT PERMISSION IN WRITING.

© 2004. All Rights Reserved.

CLIENT			-		TITLE		INTERNAL DOOR FRAME ASSY.	
PROJECT			WINDOWS WEST STD SPEC SHEET			SUB-TITLE		
DRAWN			P.M.	3.12.06	SCALE		DWG No	
CHECKED			P.M.	3.12.06			WW-IDA-001 (Sht. 1 of 1)	
ISSUED			-	-	JOB NO.:		Rev:	
SUPERCEDED			-	-			0	